

# SkyPilot Networks Accessory Guide



## Parts List

- Adjustable tilt bracket
- 4 panhead screws (1/4-20 x 2 1/4") and washers
- 4 panhead screws (1/4-20 x 5/8") and washers
- Accessory guide

## Tools Required

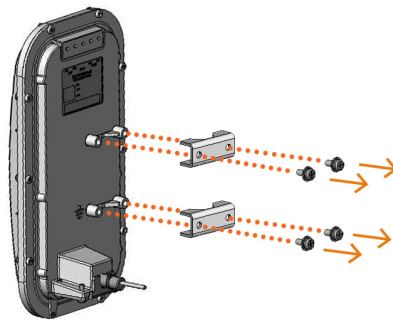
- Phillips screwdriver

## SkyConnector Tilt Mount Kit

### Adds an adjustable mount to a SkyConnector (Outdoor)

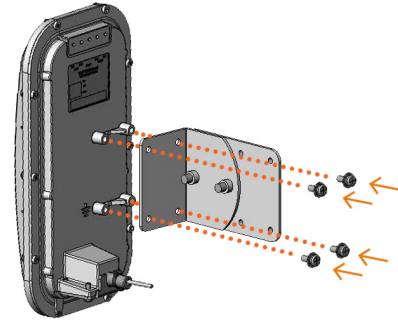
The SkyConnector Tilt Mount kit provides an adjustable mount that installers can use to optimize signal reception on SkyConnector outdoor units. With a tilt mount, a SkyConnector can rotate up to 37 degrees on its vertical axis, allowing more flexibility for SkyConnector installations.

### 1 Remove original brackets



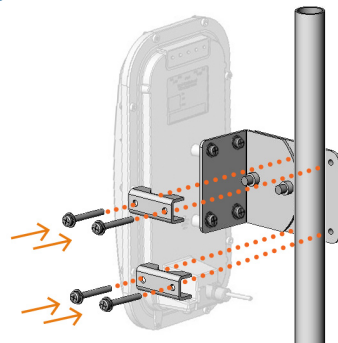
If you're upgrading an existing installation, use the Phillips-head screwdriver to remove the mounting brackets from the SkyConnector. Put them aside.

### 2 Attach tilt mount



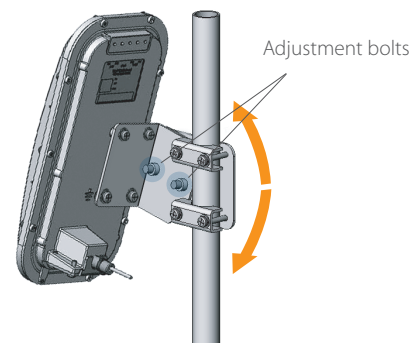
With the Phillips-head screwdriver, attach the tilt assembly to the back of the SkyConnector with the provided 5/8" panhead screws and washers.

### 3 Attach swivel mount



Use the original mounting brackets with the provided 2 1/4" panhead screws and washers to attach the SkyConnector with tilt assembly to a pole. (Diameter of pole must not exceed 1 3/8".)

### 4 Adjust SkyConnector



Loosen the adjustment bolts on the tilt mount and rotate the SkyConnector to the desired angle. When optimal signal reception is confirmed, tighten the adjustment bolts to fix the SkyConnector's position.